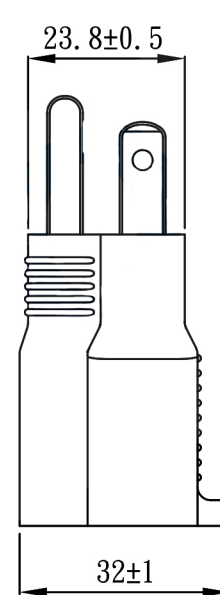
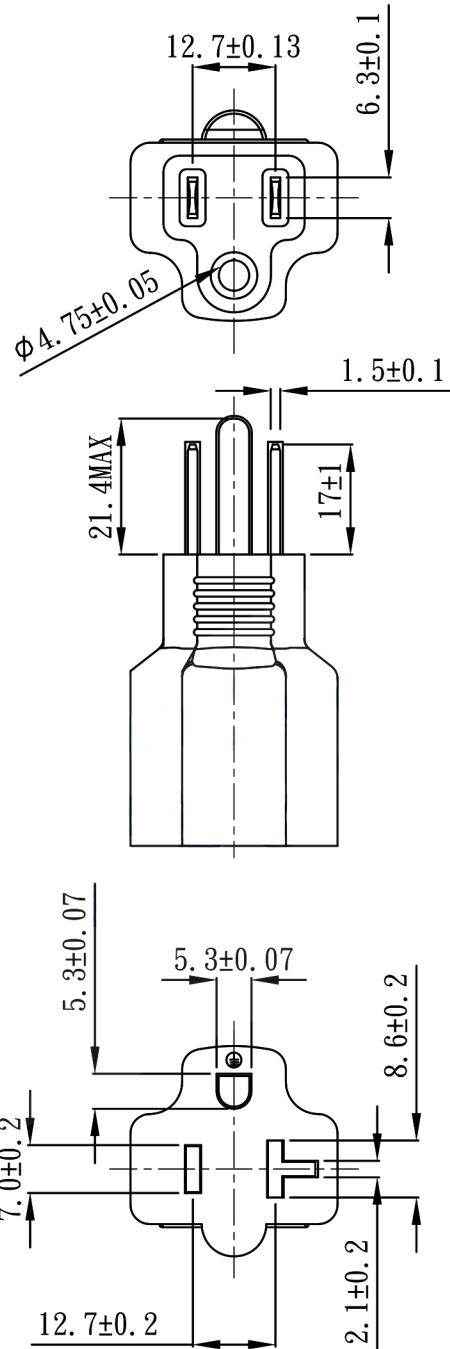
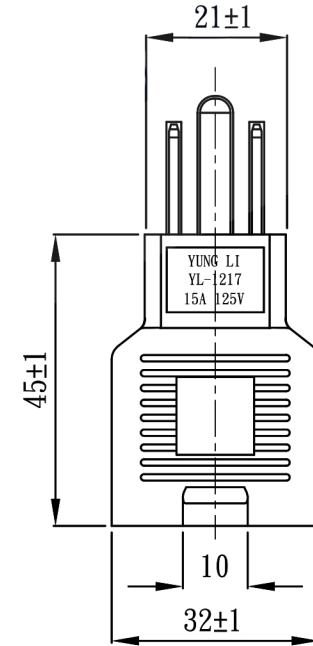



NEMA 5-20R to NEMA 5-15P



Note:

1. Rating: 15A 125V
2. Insulation Resistance: 100MΩ
3. Dielectric Voltage: 2000V/sec



TOLERANCE >0±0.30 >1.0±0.50 >10.0±1.0 >20.0±2.0 Angle: ±1°	APPROVED		DATE		 cables & connectors since 1995			
	CHECKED		DATE					
	DRAWN		DATE		TITLE:	NEMA 5-15/20 FEMALE TO NEMA 5-15 MALE POWER ADAPTER		
	TYPE				SKU:	160		
			REV		MATERIAL	P. V. C	UNIT	mm
				SCALE	1:1	